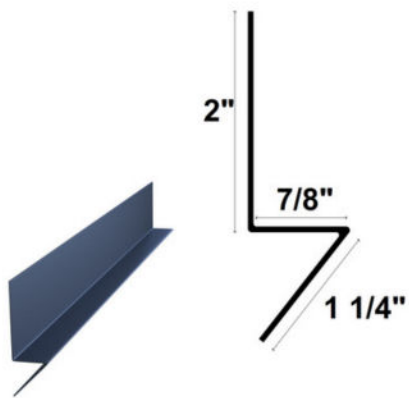
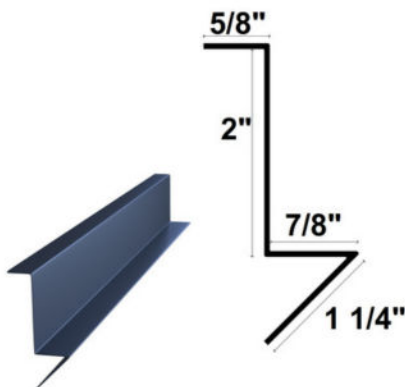


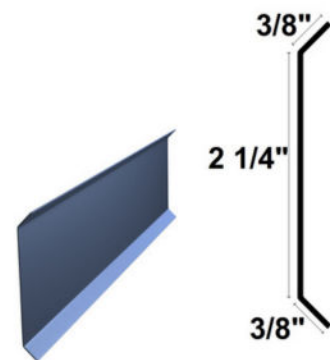
TUFF RIB



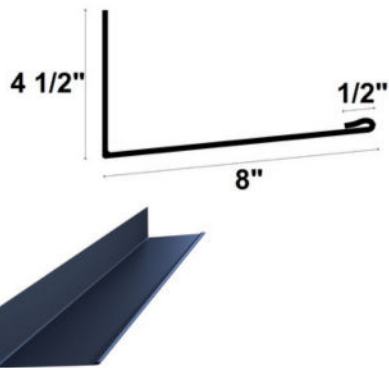
BDF
BASE DRIP



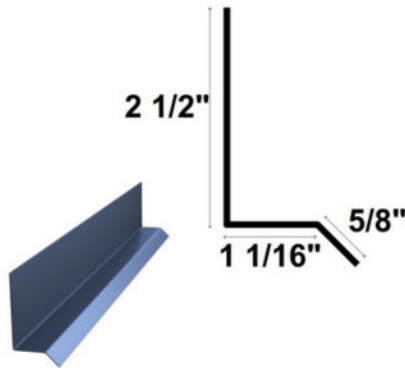
BDRF
BASE DRIP REGLET



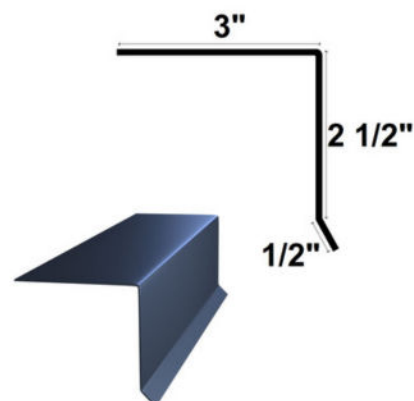
CF
COUNTER



CHIMF
CHIMNEY

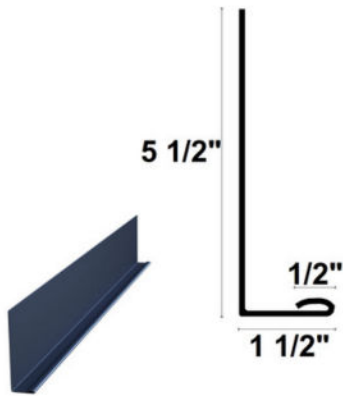


DCF
DRIP CAP

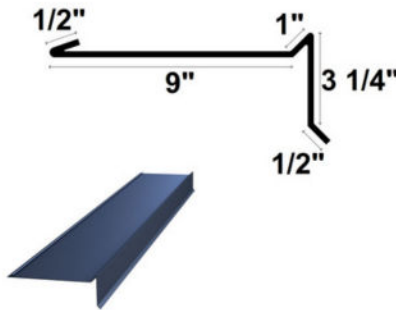


EDF
EAVE DRIP

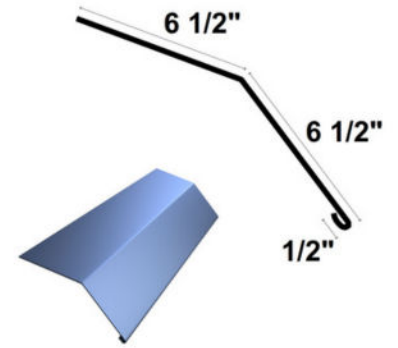
TUFF RIB



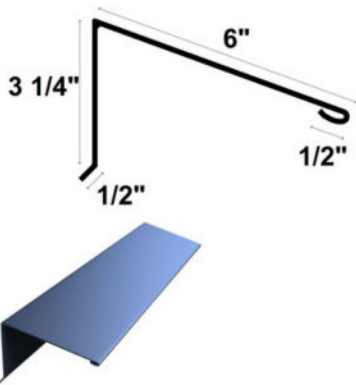
FAS
FASCIA



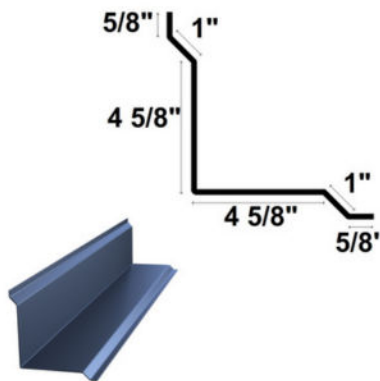
FGF
FLYING GABLE



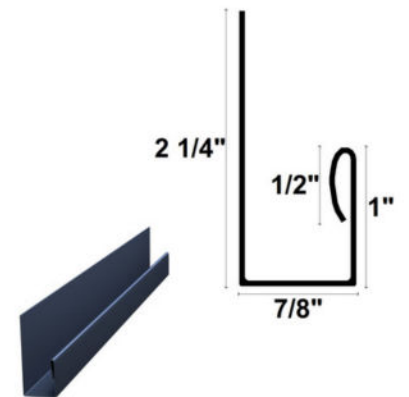
GBF
GAMBREL



HEDFTR
HIGH EAVE

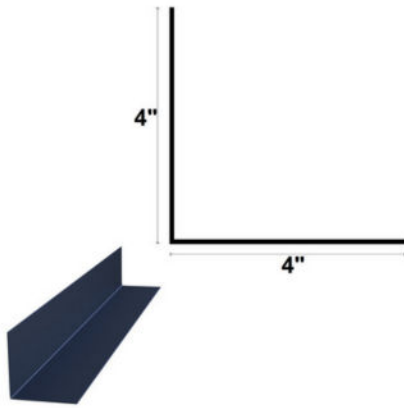


ICF TR
INSIDE CORNER

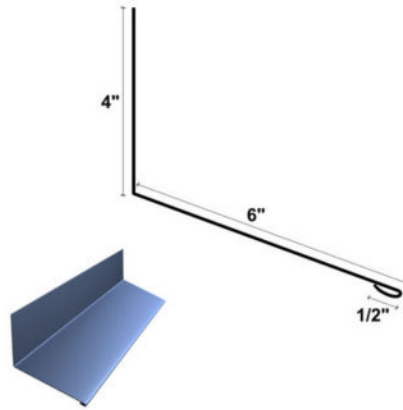


JCTR
J CHANNEL

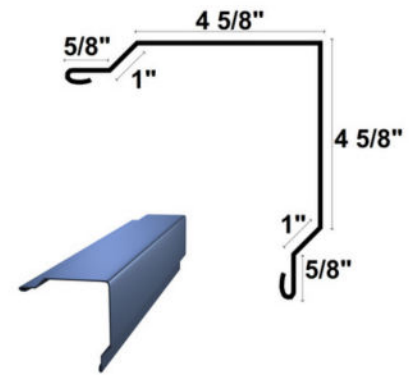
TUFF RIB



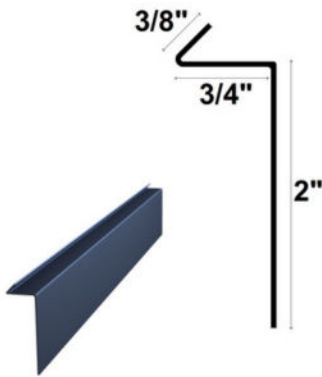
LF
L FLASHING



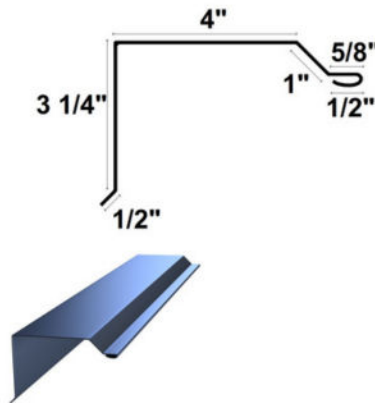
NEWFTR
NOTCHABLE ENDWALL



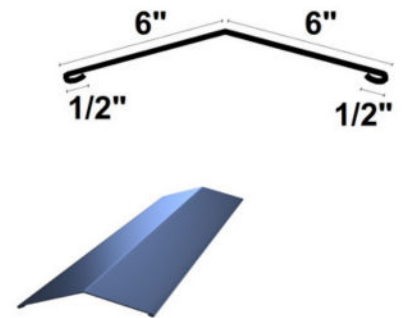
OCF TR
OUTSIDE CORNER



REGF
REGLET

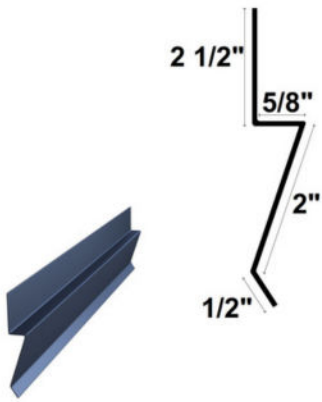


RFTR
RAKE

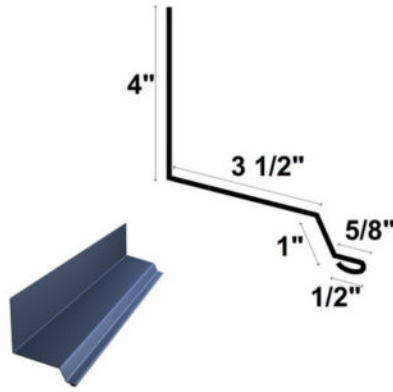


SRCF
STANDARD RIDGE CAP

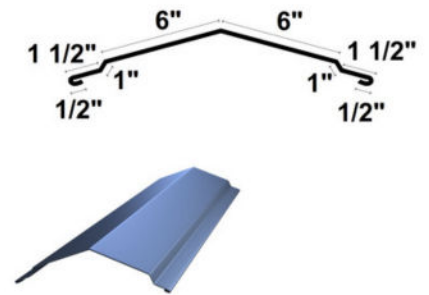
TUFF RIB



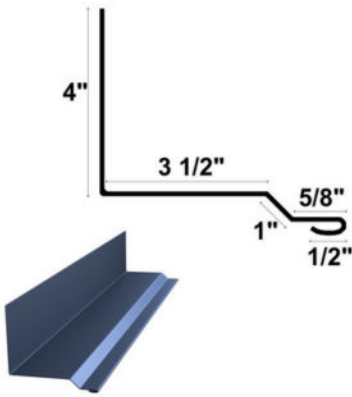
SSF
STUCCO STOP



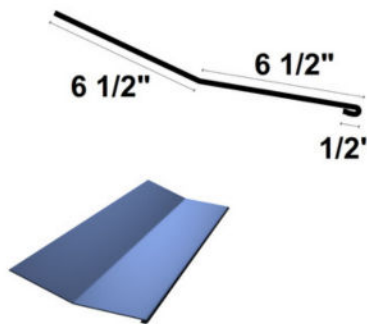
STEPEWFTR
STEPPED ENDWALL



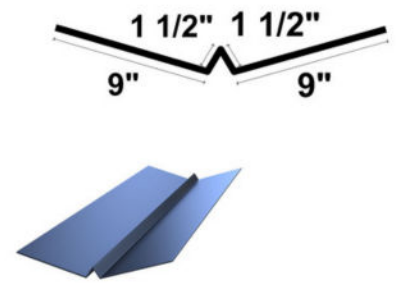
STEPRCF
STEP RIDGE CAP



STFTR
SIDEWALL

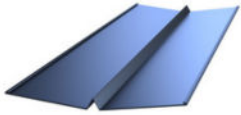


TF
TRANSITION

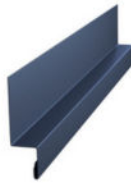
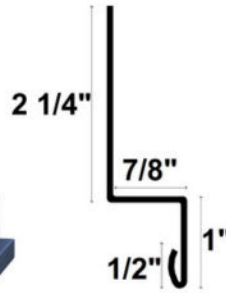


VF
VALLEY

TUFF RIB



VFH
HEMMED VALLEY



WTF
WALL TRANSITION