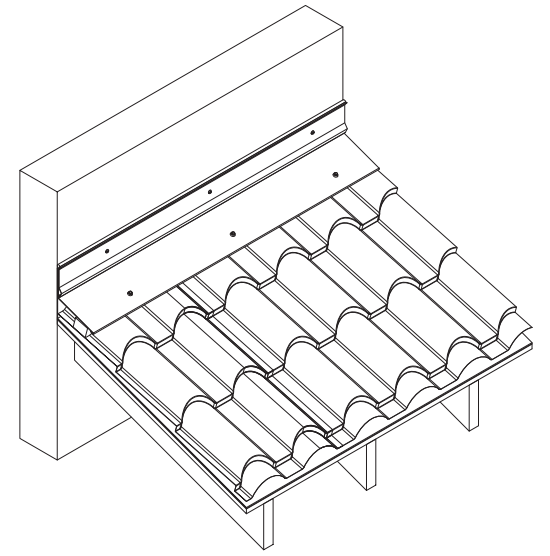
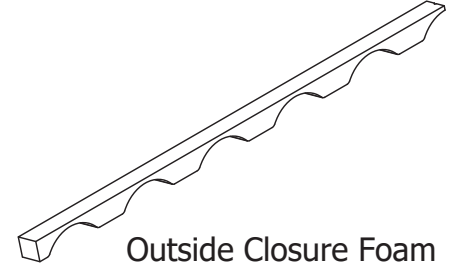


Fastener(Typical)
 Wall
 Fastener(Typical)
 Moisture Barrier (Typical)
 3" #10 HiLo Woodzac Screw

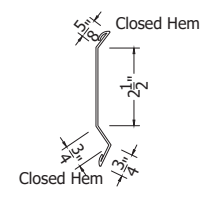


Isometric View

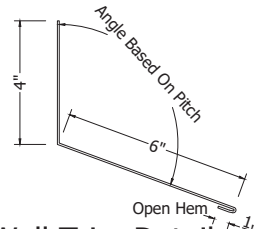


Outside Closure Foam

Counter Flashing Section
Scale 3" = 1'



Counter Flashing



End Wall Trim Detail



942 Blanche Street
 Jacksonville, FL 32204
 (904)799-6499

This Page contains general application details.
 Actual Installation may require additional items
 based on good roofing practices

Description: Barrel Tile
 Counter Flashing Detail